

Simply the Best CinemaSnap Matrix White Fixed Frame



High Colour Saturation



Low Colour Saturation



High Resolution



Low Resolution

Screen Technics is proud to release a new premium projection screen material that is specifically designed to enhance the home theatre experience.

Through improved resolution technology and utilising state of the art optical structures on the front of the surface and a light-tight grey backing, the new Matrix White surface in conjunction with the CinemaSnap fixed frame system is today's ultimate screen for LCD, DLP or CRT Projectors.

MATRIX WHITE IMPROVES

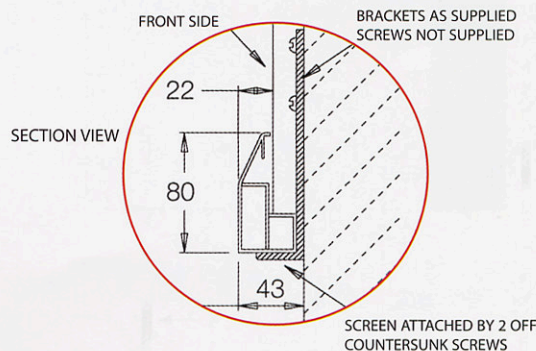
- Resolution.
- Colour Saturation.
- Anti-Hot Spotting.
- Brightness Levels.
- Off Axis Viewing.

Matrix White has a unique micro-textured surface which displays a sharper resolution level and the grey backing allows no light to pass through the fabric, therefore increasing brightness levels over the standard matt white fabric, through improved reflection of the projected light.

PRODUCT FEATURES

- Hidden mounting system.
- Powder coated aluminium frame.
- Bevelled frame edges.
- Unique SNAP surface fixing system.
- Surface under constant tension for optimum lay flat.
- Includes wall mounting brackets.
- Custom sizes and format ratios available.
- Quality Assurance AS/NZS ISO 9001:2000.

Item No	Inch Diagonal	Image Size mm	Format
1207216	72"	1100 x 1465	Video 4:3
1208416	84"	1280 x 1705	Video 4:3
1209616	96"	1460 x 1950	Video 4:3
1210016	100"	1525 x 2035	Video 4:3
1211516	115"	1755 x 2340	Video 4:3
1212016	120"	1830 x 2440	Video 4:3
1213016	130"	1980 x 2640	Video 4:3
1208426	84"	1046 x 1860	HDTV 16:9
1209226	92"	1145 x 2035	HDTV 16:9
1209626	96"	1195 x 2125	HDTV 16:9
1210026	100"	1245 x 2215	HDTV 16:9
1211026	110"	1370 x 2435	HDTV 16:9
1211526	115"	1430 x 2545	HDTV 16:9
1212526	125"	1555 x 2770	HDTV 16:9
1213026	130"	1615 x 2880	HDTV 16:9
1213526	135"	1680 x 2990	HDTV 16:9
1214026	140"	1740 x 3100	HDTV 16:9



Full technical drawings and installation instructions can be found on our website.