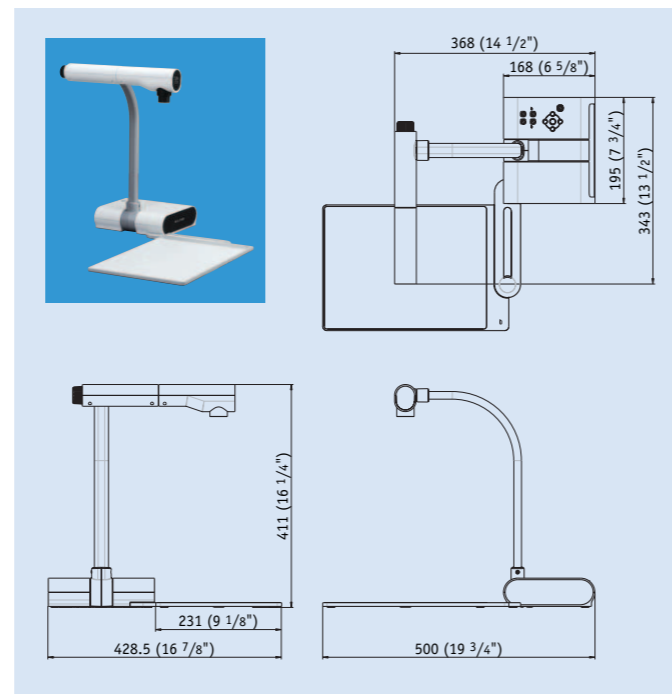


L-1 Specifications

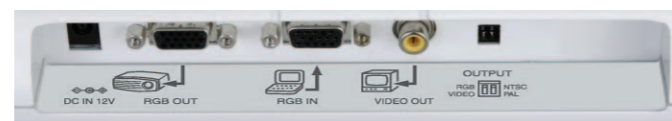
| | | | |
|--------------|------------------------------|--|--|
| Model | L-1 | | |
| Camera | Image pick-up device | 1/3" progressive scan CCD, 850,000 pixels | |
| | Effective pixels | 1,024 (H) x 768 (V) | |
| | Frame rate | 20 frames/sec. | |
| | Resolution | 600 (H) x 600 (V) TV lines | |
| Optics | Zoom | Powered (with double speed function), 5.3X optical | |
| | Lens | F2.0 to 4.4, f=4.0 to 21.2 mm | |
| | Shooting area | Max. 426 x 317 mm (16 7/8" x 12 1/2") Min. 93 x 70 mm (3 5/8" x 2 3/4") | |
| | Focus | Auto/Manual (powered) | |
| Functions | Auto brightness control | Auto/Manual (powered) | |
| | White balance | Auto/Push set/Manual | |
| | Negative/positive conversion | Provided | |
| | Color/B&W selection | Provided | |
| | Gamma adjustment | Provided | |
| | Pause mode | Provided | |
| | Digital zoom | Provided (8X) | |
| | Image rotation | Provided (0°, 180°) | |
| | OSD (on-screen display) | Provided | |
| | Text mode | Provided | |
| | State presetting | Up to 4 user settings | |
| | Free-stop arm | Provided | |
| | Microscope viewing mode | Provided | |
| | Input/output | Internal selection | Int./RGB |
| | | Analog RGB output | XGA (1,024 x 768 @60 Hz) |
| Video output | | Composite | |
| RGB input | | Provided | |
| Others | Accessories | AC adapter, RGB cable, instruction manual, removable stage, magnet sheet, anti-glare sheet (A5 size) | |
| | Dimensions | Set up | 343 x 368 x 411 mm (13 1/2" x 14 1/2" x 16 1/4") |
| | | Folded | 195 x 368 x 444 mm (7 3/4" x 14 1/2" x 17 1/2") |
| | Weight | 3.0 kg (6.6 lbs) | |
| | Power consumption | 9W | |
| | Power source | DC 12V (AC adapter) | |

Profile

All dimensions in mm (inches)



Rear Panel



H: horizontal, V: vertical

Design and specifications are subject to change without prior notice.

ELMO is a trademark of ELMO COMPANY, LIMITED.

Other brand names and product names may be trademarks or registered trademarks of their respective owners. The images on this brochure are simulated.

ELMO's Helping to Provide a Greener Future for Our Children

This ELMO product complies with RoHS Directive 2002/95/EC (Restriction Of the use of certain Hazardous Substances in electronic equipment). This compliance helps to ensure a healthier and greener environment for all our children.



ELMO CO., LTD. (Head Office and Factory)'s QMS/EMS has been registered to ISO 9001:2000 & ISO 14001:2004.



ELMO CO., LTD.

6-14, Meizen-cho, Mizuho-ku,
Nagoya, 467-8567, Japan
E-mail : foreign-div@elmo.co.jp

Distributed by

Additional technical information is available from any of the following subsidiary companies:

ELMO (Europe) G.m.b.H.

Neanderstr. 18,
40233 Düsseldorf, Germany
Tel. (0211) 386470 Fax. (0211) 376630
E-mail : info@elmoeurope.com
Web : <http://www.elmoeurope.com>

ELMO USA Corp.

Headquarters
1478 Old Country Road,
Plainview, NY 11803-5034, U.S.A.
Tel. (516) 501-1400 Fax. (516) 501-0429
E-mail : elmo@elmousa.com
Web : <http://www.elmousa.com>

West Coast Branch

Cypress Pointe Business Park,
5676 Corporate Drive,
Cypress, CA 90630, U.S.A.
Tel. (714) 828-8457 Fax. (714) 828-8429



This brochure is printed on recycled paper with soy ink.

E06006 Printed in Japan (O) 05/2006

Seeing is Believing...
Retaining and Learning



Create Dynamic Lessons with Ease

L-1

42.4X Zoom with Auto Focus

Optical Zoom 5.3X

Digital Zoom 8.0X



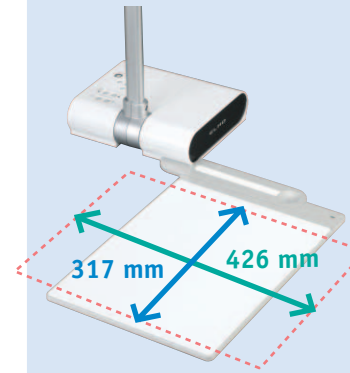
The 5.3X optical zoom captures crisp and detailed images. Get even closer in combination with the 8.0X digital zoom to enlarge minute features up to 42.4X. What's more, the Auto Focus function ensures that the details of objects on the L-1's wide shooting area (317 mm x 426 mm) remain sharp.

Simple Control Panel for Easy Operation



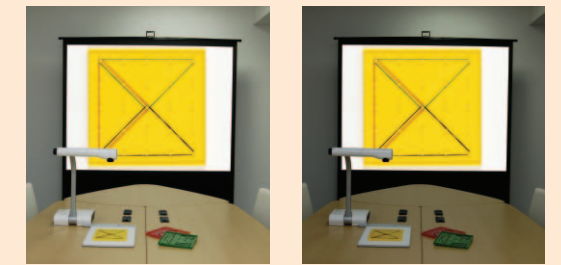
A logically designed control panel with simplified buttons and LEDs makes operation easy and intuitive.

Convenient, Unique Design



The L-1's unique design offers the ultimate in flexibility when displaying objects and won't get in the way. Easily move documents and visuals up to 317 mm x 426 mm (A3 size) to display exactly what you need.

Auto Brightness Control



The L-1's camera automatically adjusts to changing levels of room brightness, ensuring easy-to-view presentations, even in darkened rooms.

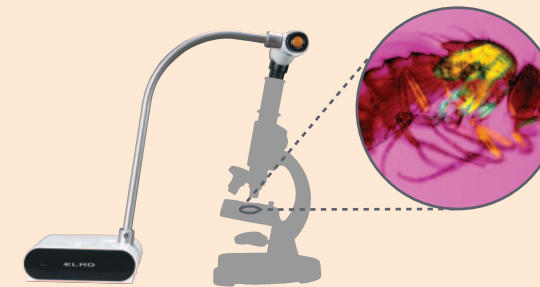
Removable Stage

Provides presentation versatility



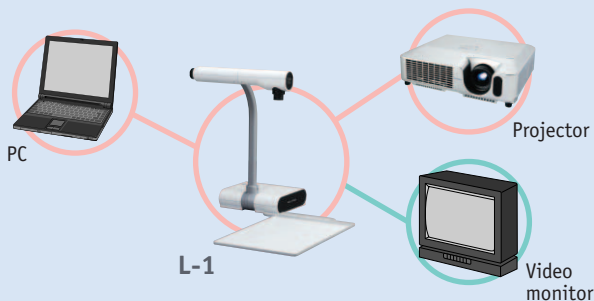
Annotate easily with the stroke of a pen using the included Removable Stage. And the fact it's removable gives you several advantages. You can write on the paper on the stage from a comfortable position. You can also take it off and move it out of the way to use the L-1 when presenting large objects or visuals.

Microscope Viewing Mode



Easily display microscope slides containing minuscule subject matter for science lessons.

Versatile Input/Output Connections



Easily switch to a PC image display or project images to any standard monitor or projector for greater presentation flexibility.

Display Vivid Live Images

20 fps



With a frame rate of 20 fps, the L-1 smoothly displays moving objects in real-time, making hands-on lessons even easier to understand.

Compact, Secure Storage



The L-1's camera head conveniently swings down for compact storage, making it easy to hand-carry to any location. A security slot provides protection against theft.

